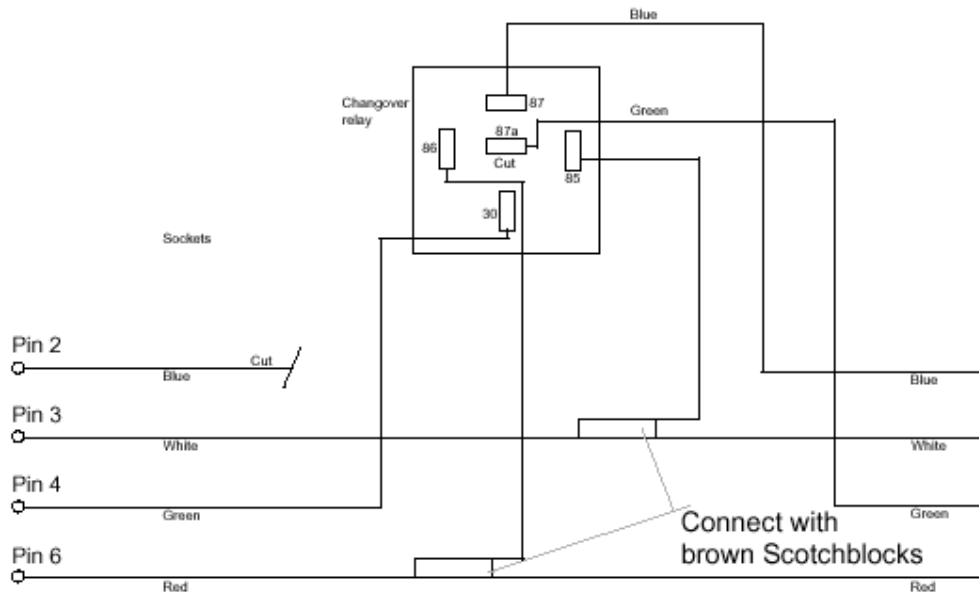


TF2550KIT Caravan Conversion 99

If your customer's car has a factory-fitted 13-pin socket that he/she wants to retain and a caravan with pre-1999 wiring, you can't really modify the car without risking future problems. You can, however, sell your customer a simple kit to modify the caravan. You could fit the kit yourself.

This kit installs a changeover relay (shown) in the caravan on the 12S circuit.



Green and blue are cut. The blue lead from the plug is discarded but the remaining blue lead to the caravan battery is fitted with a receptacle and connected to pin 87